



M-8460Se Printer Standard Unit

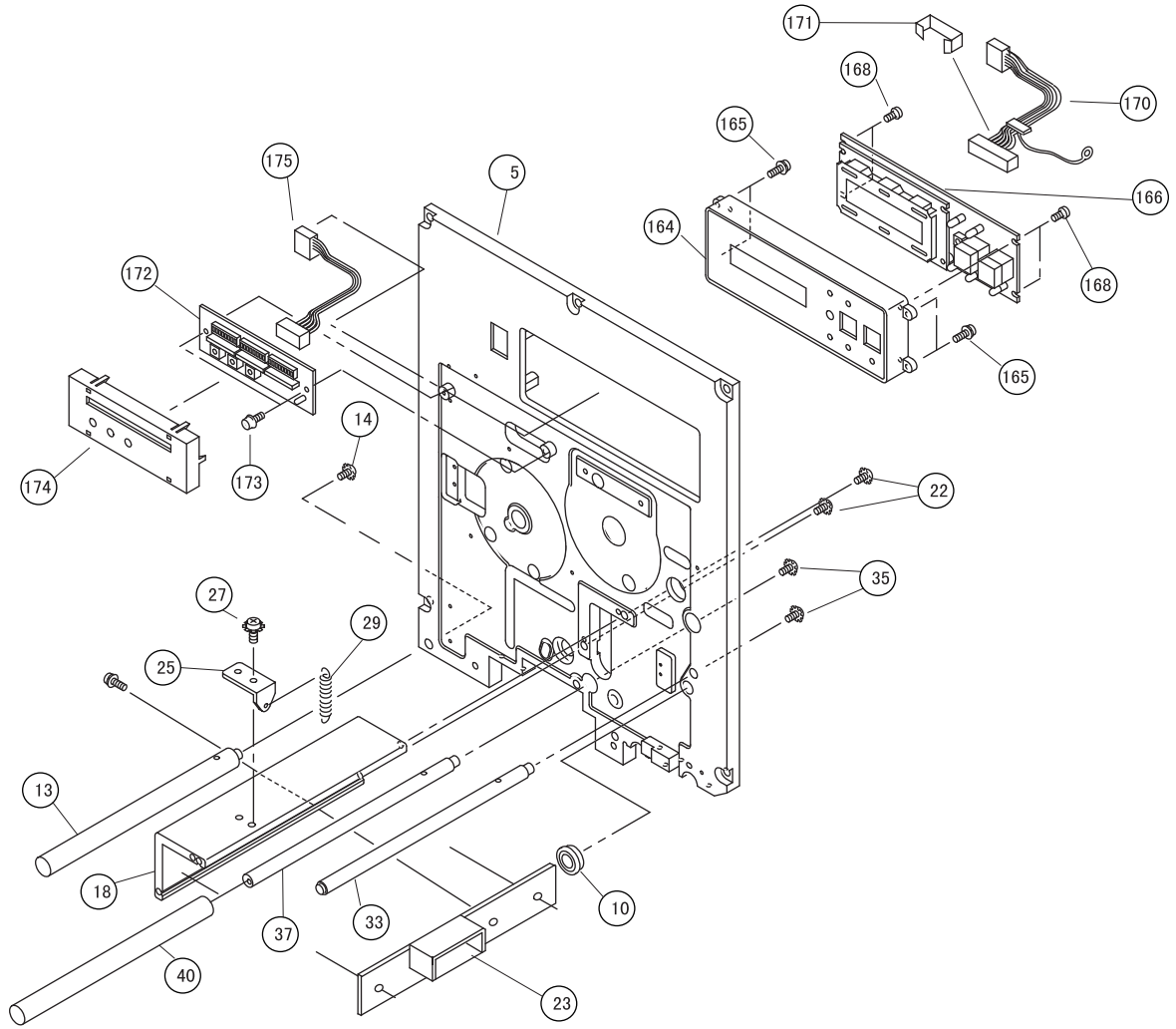


Parts List

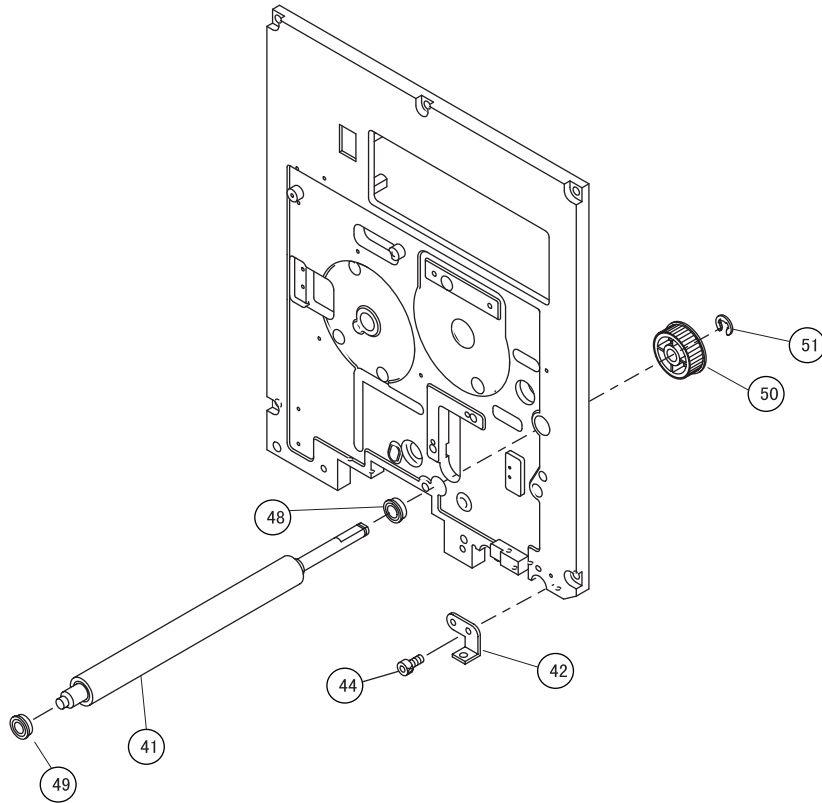
Table of Contents

<i>M-8460Se</i>	<i>Page</i>
<i>Spare Parts List</i>	
<i>Frame Assembly</i>	<i>3</i>
<i>Print Head Assembly</i>	<i>8</i>
<i>Ribbon Assembly</i>	<i>11</i>
<i>Platen Frame Assembly</i>	<i>14</i>
<i>Cover Assembly</i>	<i>21</i>
<i>Cont PCB Assembly</i>	<i>24</i>
<i>Check PCB Assembly</i>	<i>25</i>
<i>Interface Option</i>	<i>26</i>
<i>Memory Option</i>	<i>27</i>

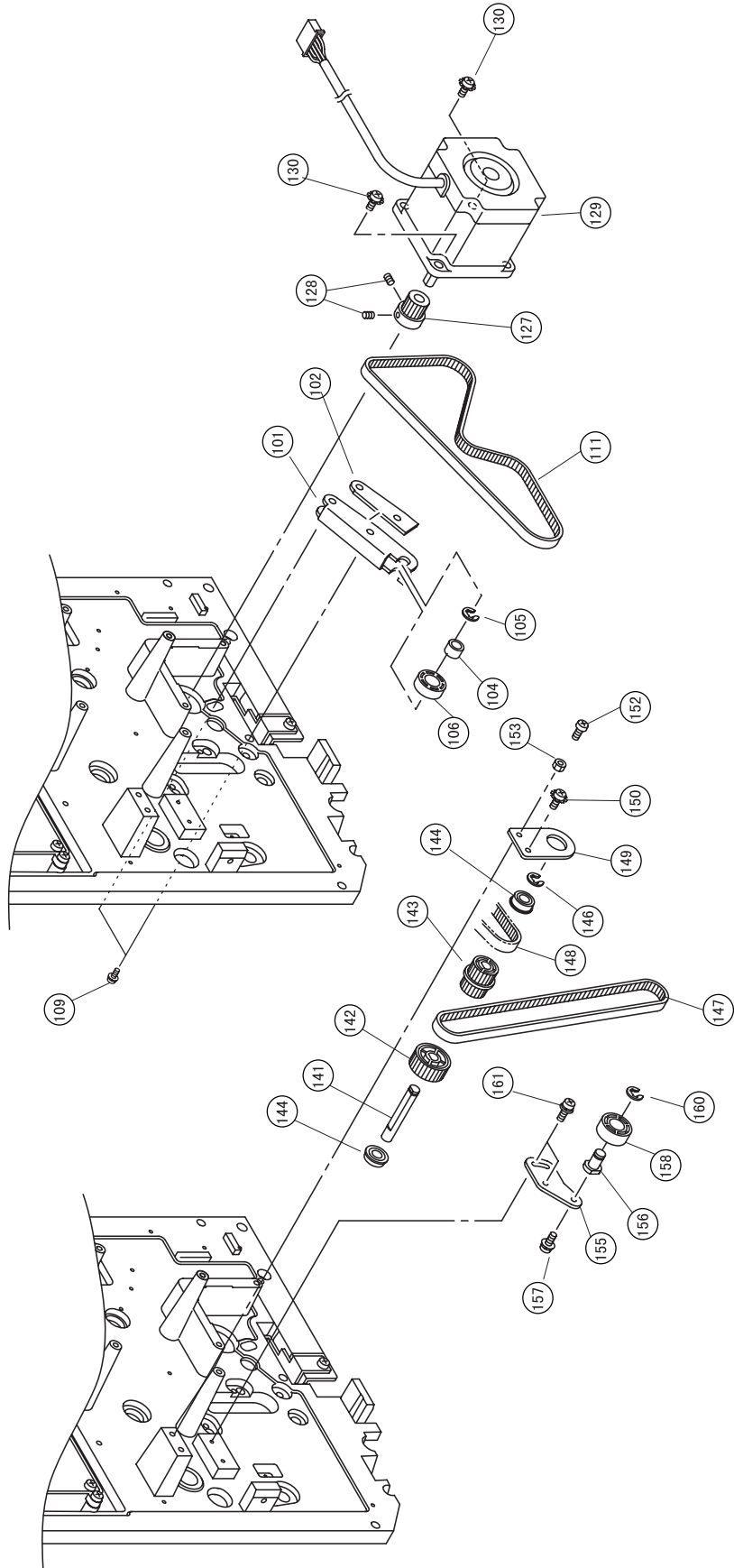
Frame Assembly



Frame Assembly



Frame Assembly



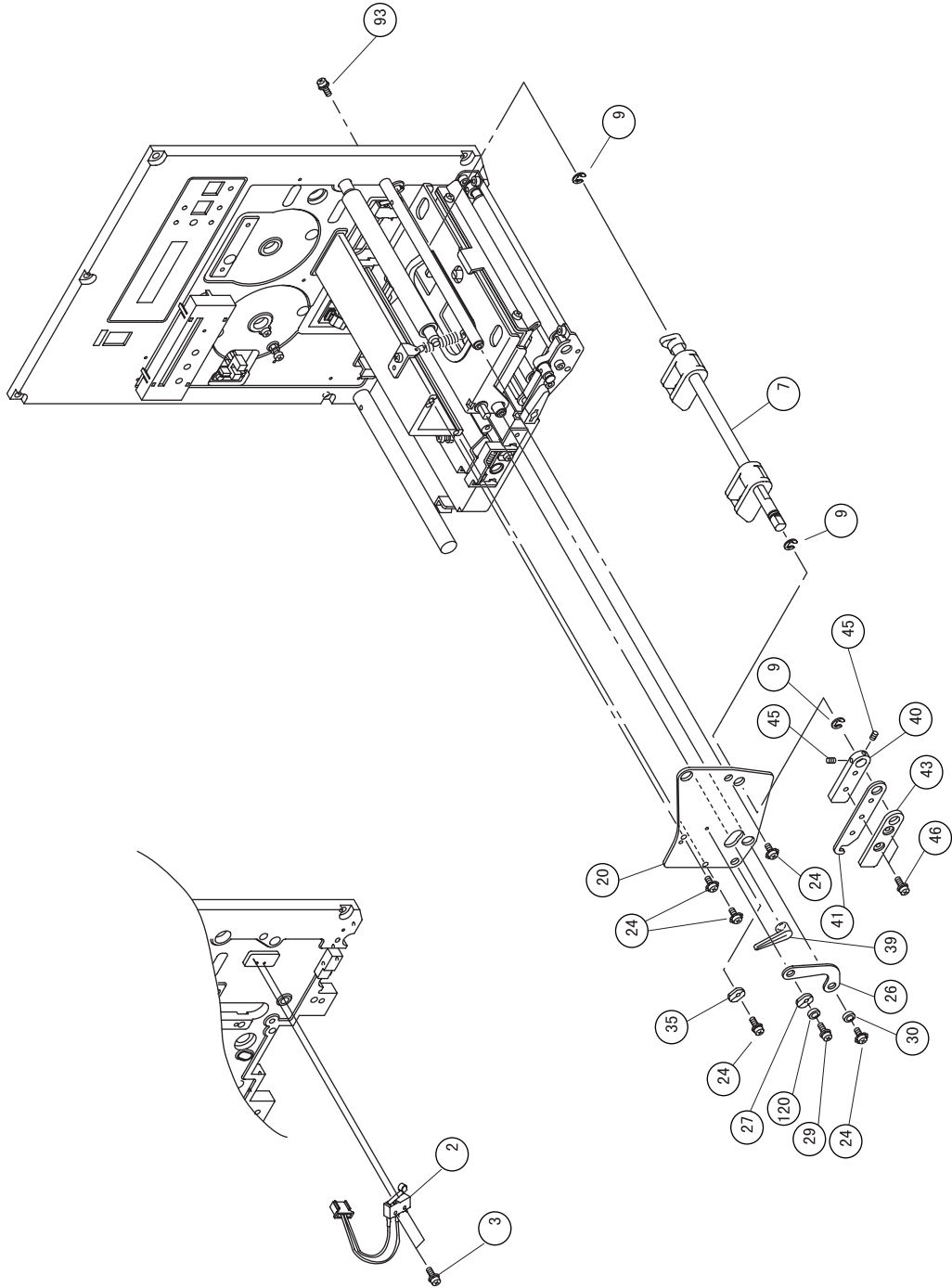
Frame Assembly

NO.	CODE	DESCRIPTION	QTY
5	PL1733500	ENGINE FRAME	1
10	MT1300522	HEX NUT	1
13	PB0734200	GUIDE POST	1
14	MC0401022	PAN HEAD SCREW	1
18	PR1733600	STAY	1
22	MN0401224	HEX SOCKET BOLT	2
23	PA3737200	GUIDE PLATE (HEAD BR)	1
25	PA3732500	SPRING BRACKET	1
27	MC0301022	PAN HEAD SCREW	1
29	PC0730200	SPRING (OPEN)	1
33	PB0734300	SHAFT(SUPPORT)	1
35	MN0401024	HEX SOCKET BOLT	2
37	PB0734400	SHAFT (RIBBON ADJUST)	1
40	PR1733900	ROLLER	1
41	PR0731600	FEED ROLLER	1
42	PA3736200	DISPENSE BAR BRACKET	1
44	MN0300824	HEX SOCKET BOLT	1
48	PT1112060	BALL SUPPORTER	1
49	PT1109050	BALL SUPPORTER	1
50	PE8730100	GEAR	1
51	ND0040030	E-RING	1
101	PA3734800	PULLEY BRACKET	1
102	PA2730700	PLATE NUT	1
104	PB0731600	SHAFT (ROLLER)	1
105	ND0040030	E-RING	1
106	PR1732600	TENSION ROLLER	1
109	MD4402022	PAN HEAD SCREW	2
111	PT8190064	TIMING BELT	1
127	PL1720100	MOTOR PULLEY	1
128	MJ1400524	HEX SOCKET SET SCREW	2
129	RH1730600	STEPPER MOTOR ASSY	1
130	MC0401222	PAN HEAD SCREW	2
141	PB0731701	SHAFT (IDLE)	1

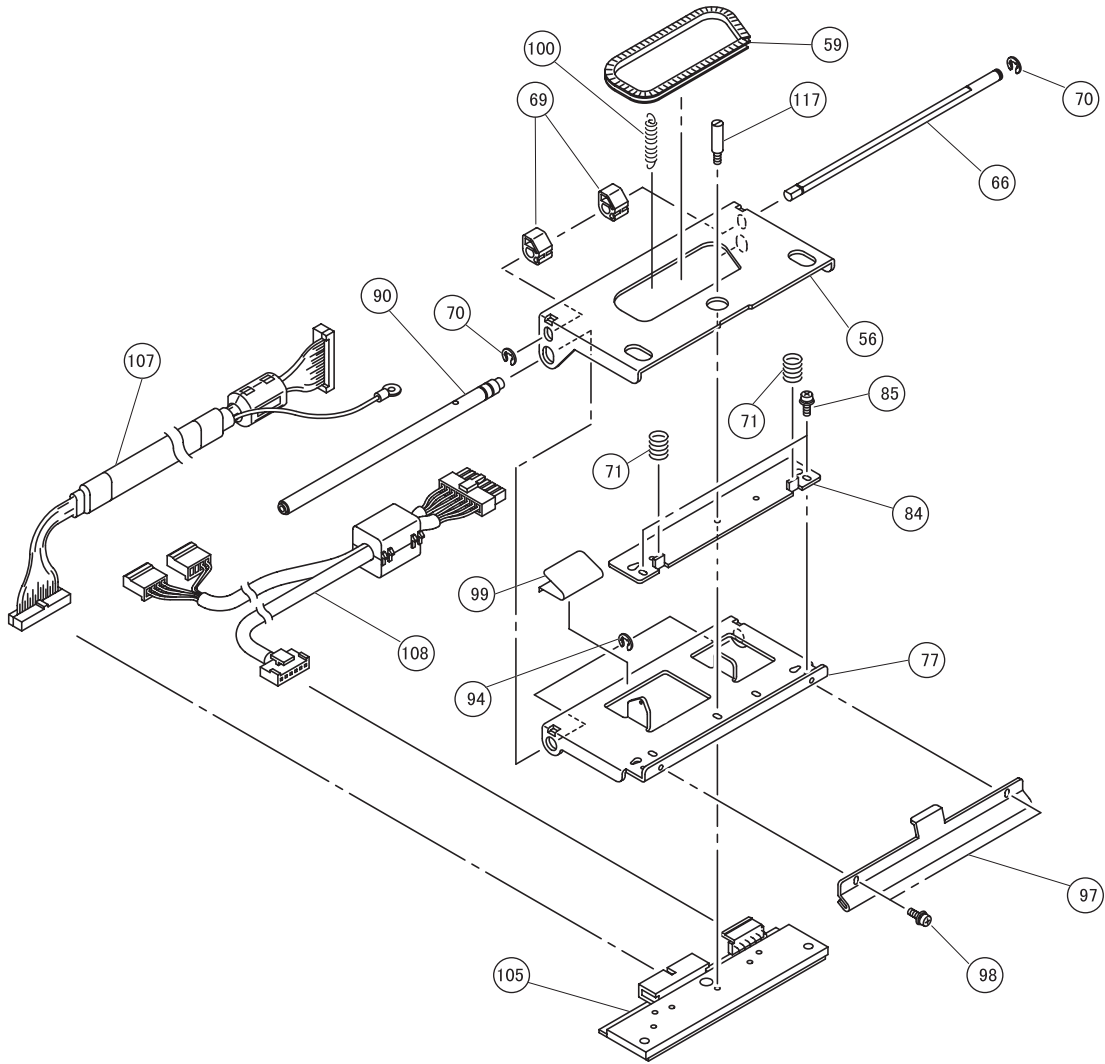
Frame Assembly

NO.	CODE	DESCRIPTION	QTY
142	PE8730100	GEAR	1
143	PE8730300	PULLEY	1
144	PT1112060	BALL SUPPORTER	2
146	ND0040030	E-RING	1
147	PT8150064	TIMING BELT	1
148	PT8085048	TIMING BELT	1
149	PA1730500	SHAFT BRACKET	1
150	MC0401022	PAN HEAD SCREW	2
152	MA0401622	PAN HEAD SCREW	1
153	MT1400722	HEX NUT	1
155	PA1730700	TENSION BRACKET	1
156	PB0730600	POST (TENSION)	1
157	MD4400822	PAN HEAD SCREW	1
158	PR1730600	TENSION ROLLER	1
160	ND0040030	E-RING	1
161	MD4300822	PAN HEAD SCREW	2
164	PR4730501	KEYBOARD COVER	1
165	MD4301222	PAN HEAD SCREW	4
166	RJ2730200	KEY PCB SET	1
168	MH0300821	PAN HEAD P TITE SCREW	4
170	RH1731300	PSW CABLE	1
171	PA3739900	CONNECTOR LOCK	1
172	RJ2730100	DSW PCB SET	1
173	MD3300822	PAN HEAD SCREW	2
174	PH0730200	DIP SWITCH COVER	1
175	RH1731600	DSW CABLE SET	1

Print Head Assembly



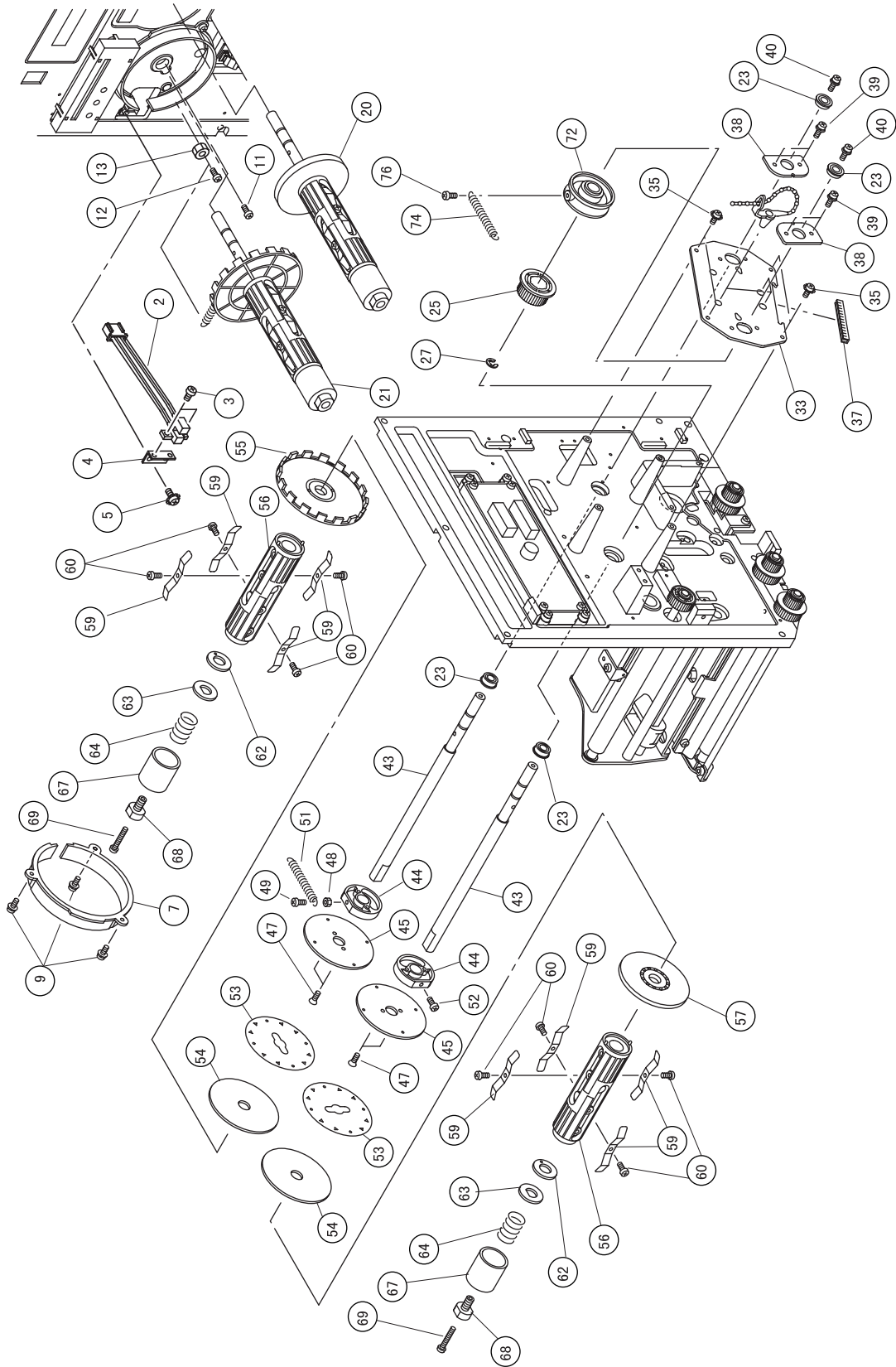
Print Head Assembly



Print Head Assembly

NO.	CODE	DESCRIPTION	QTY
2	RH1731100	SEN5 CABLE	1
3	MD3201221	PAN HEAD SCREW	2
7	PR1733700	PRESSURE CAM	1
9	ND0060030	E-RING	3
20	PA2730800	HEAD FRAME	1
24	MN0401024	HEX SOCKET BOLT	5
26	PA1730300	PLATE (ADJUST)	1
27	PL2720100	ADJUST COLLAR	1
29	MN0400824	HEX SOCKET BOLT	1
30	NA0040022	PLAIN WASHER	1
35	PL2730100	ADJUST COLLAR	1
39	PE1730400	HANDLE (B)	1
40	PD1730600	HANDLE (A)	1
41	PA2730600	LATCH HANDLE (C)	1
43	PE1730800	HANDLE (B)	1
45	MJ1300424	HEX SOCKET SET SCREW	2
46	MN0301024	HEX SOCKET BOLT	2
56	PA3737300	HEAD BRACKET (TOP)	1
59	PV9730200	BUSHING	1
66	PB0734900	SHAFT (ADJUST CAM)	1
69	PE1730300	ADJUST CAM	2
70	ND0050030	E-RING	2
71	PC1730200	SPRING (HEAD)	2
77	PA3737400	HEAD BRACKET (BOTTOM)	1
84	PR1733800	ADJUST PLATE	1
85	MD4300622	PAN HEAD SCREW	2
90	PB0734800	SHAFT (HEAD BRACKET)	1
93	MN0401024	HEX SOCKET BOLT	1
94	ND0070030	E-RING	2
97	PA3737600	RIBBON PLATE	1
98	MD3250522	PAN HEAD SCREW	2
99	PA4730401	PLATE SPRING (HEAD CAM)	1
100	PC0730200	SPRING (HEAD OPEN)	1
105	GH000661A	PRINT HEAD	1
107	RH1731200	HDS CABLE	1
108	RH1727100	POWER & HEAD CORD SET	1
117	PB5730400	SCREW (HEAD)	2

Ribbon Assembly



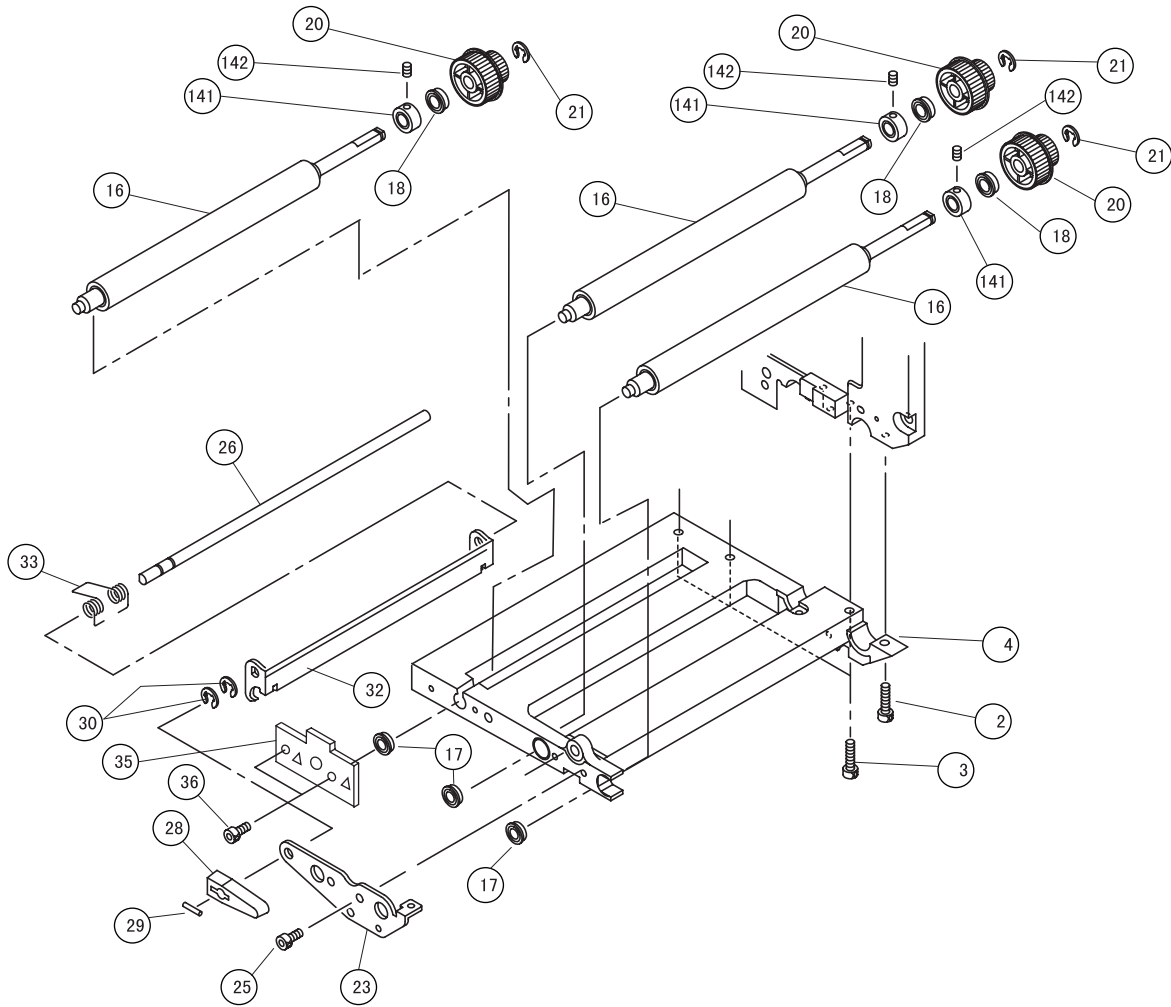
Ribbon Assembly

NO.	CODE	DESCRIPTION	QTY
2	RH1730400	SEN4 CABLE	1
3	MA0300622	PAN HEAD SCREW	2
4	PA3730200	SENSOR BRACKET(RIBBON)	1
5	MC0301022	PAN HEAD SCREW	1
7	PE6720100	DISK PLATE COVER	1
9	MD4300622	PAN HEAD SCREW	3
11	MD3300822	PAN HEAD SCREW	1
12	MA0301022	PAN HEAD SCREW	1
13	MT1300522	HEX NUT	1
20	RC2730500	RIBBON SUB(UNWIND)	1
21	RC2730600	RIBBON SUB(REWIND)	1
23	PT1112080	BALL SUPPORTER	4
25	PR1730800	PULLEY	1
27	ND0060030	E-RING	1
33	PA1730601	RIBBON FRAME	1
35	MC0401022	PAN HEAD SCREW	4
37	PV9730100	BUSH	1
38	PA1731000	ADJUST PLATE	2
39	MD4300622	PAN HEAD SCREW	4
40	MD4400822	PAN HEAD SCREW	2
43	PB0734100	SHAFT RIBBON	2
44	PE4720200	PLATE HOLDER BOSS	2
45	PA0730100	GUIDE PLATE	2
47	MH1250621	FLAT HEAD P TITE SCREW	4
48	MT1300522	HEX NUT	1
49	MA0302522	PAN HEAD SCREW	1
51	PC0730100	SPRING (BACK)	1
52	MA0301821	PAN HEAD SCREW	1
53	PA0730200	HOLD PLATE	2
54	PA0680300	FRICTION WASHER	2
55	PE7720100	DISK PLATE(A)	1
56	PR1720300	RIBBON BOSS	2
57	PE1681100	GUIDE PLATE(B)	1
59	PA4690900	SPRING	8
60	MH0300521	PAN HEAD P TITE SCREW	8
62	PT2301020	OIL LESS METAL WASHER	2

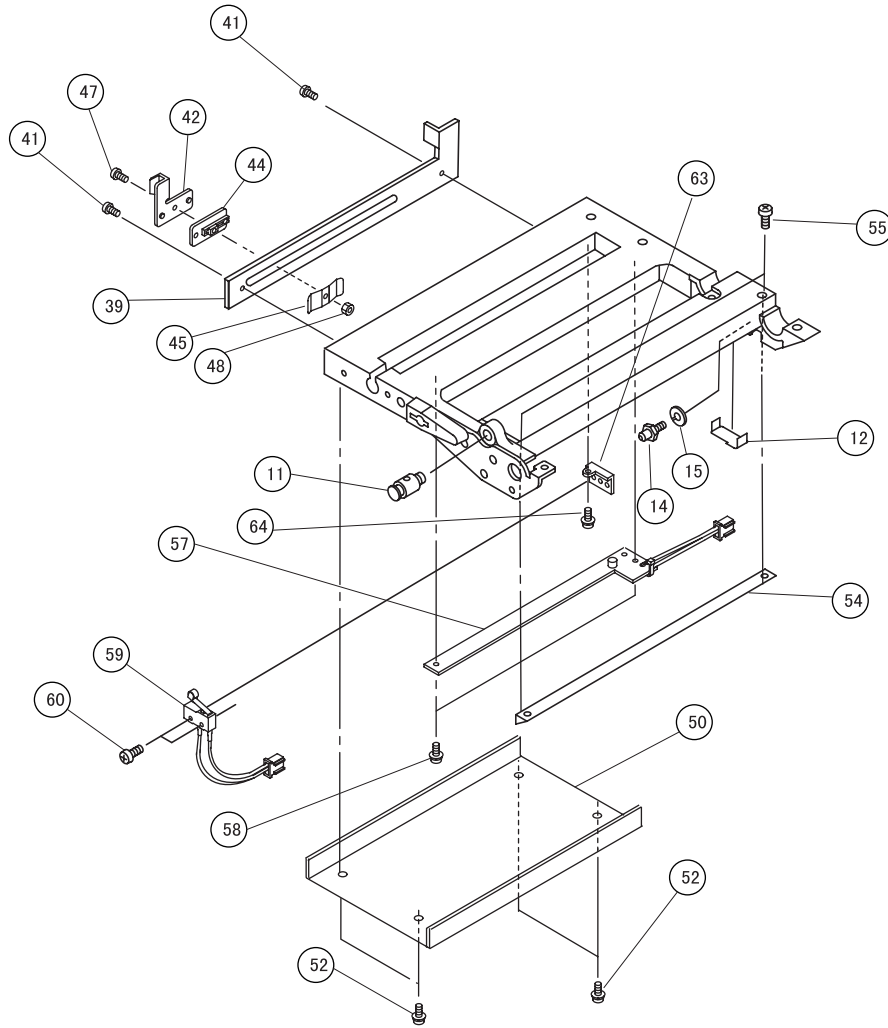
Ribbon Assembly

NO.	CODE	DESCRIPTION	QTY
63	PA0680400	DISK	2
64	PC1730100	SPRING	2
67	PE2730100	STOPPER COLLAR	2
68	PB5730100	ADJUST SCREW	2
69	MA0302522	PAN HEAD SCREW	2
72	PR1734000	PULLEY	1
74	PC0740200	SPRING (BACK)	1
76	MH0300821	PAN HEAD P TITE SCREW	1

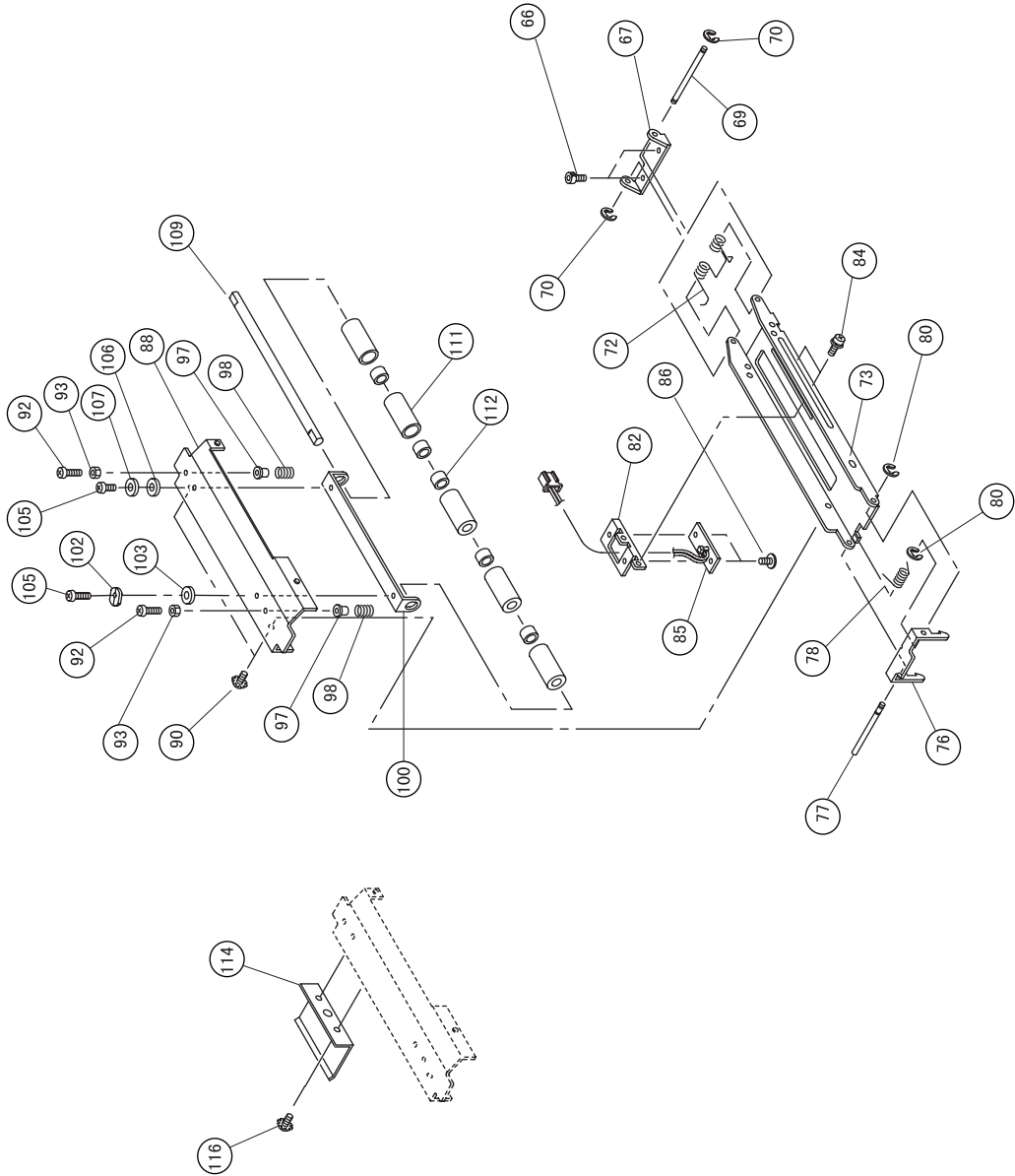
Platen Frame Assembly



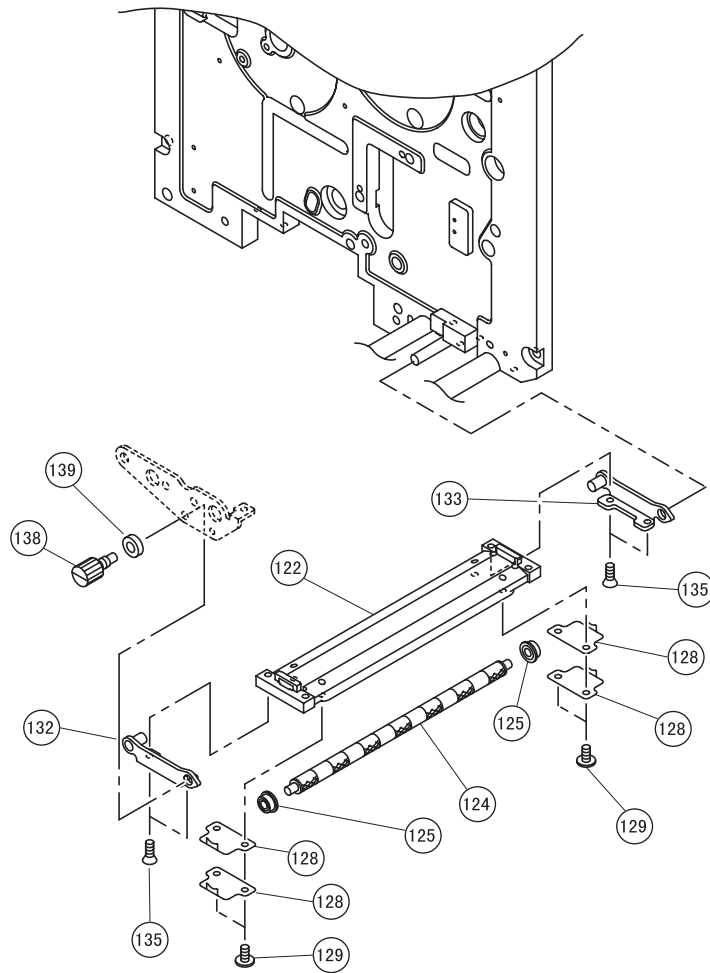
Platen Frame Assembly



Platen Frame Assembly



Platen Frame Assembly



Platen Frame Assembly

NO.	CODE	DESCRIPTION	QTY
2	MN0401024	HEX SOCKET BOLT	1
3	MN0402024	HEX SOCKET BOLT	3
4	PR4731601	PLATEN FRAME	1
11	PB0730500	POST (LATCH)	1
12	PA4730500	PLATE SPRING	1
14	PB0733500	SHAFT (HOLDER)	1
15	NB0040022	SPRING WASHER	1
16	PR0730300	PLATEN ROLLER	3
17	PT1109050	BALL SUPPORTER	3
18	PT1112060	BALL SUPPORTER	3
20	PE8730200	PULLEY	3
21	ND0040030	E-RING	3
23	PA3736301	SUPPORTER CLAMP (A)	1
25	MN0400824	HEX SOCKET BOLT	2
26	PB0735000	SHAFT (LATCH HANDLE) C	1
28	PE1730700	HANDLE (C)	1
29	NG2201030	PARALLEL PIN	1
30	ND0030030	E-RING	2
32	PA3737700	LATCH HANDLE (HOLDER)	1
33	PC3730101	SPRING (LATCH HANDLE)	1
35	PA1732000	SUPPORTER CLAMP (B)	1
36	MN1400824	HEX SOCKET BOLT	2
39	PA3737800	PAPER GUIDE (LH)	1
41	MN1400824	HEX SOCKET BOLT	2
42	PA3737900	SLIDE GUIDE	1
44	PE1730200	SLIDER	1
45	PA4730100	SLIDE SPRING	1
47	MA0301022	PAN HEAD SCREW	1
48	MT1300522	HEX NUT	1
50	PA6730100	COVER (SEN1)	1
52	MA0300522	PAN HEAD SCREW	4
54	PD1731600	DISPENSE BAR	1
55	MN0300624	HEX SOCKET BOLT	2
57	RH1732400	SEN1 CABLE	1
58	MD4300622	PAN HEAD SCREW	2
59	RH1734100	SEN7 CABLE	1
60	MA0200821	PAN HEAD SCREW	2
63	PA3738000	MICRO SWITCH BRACKET	1

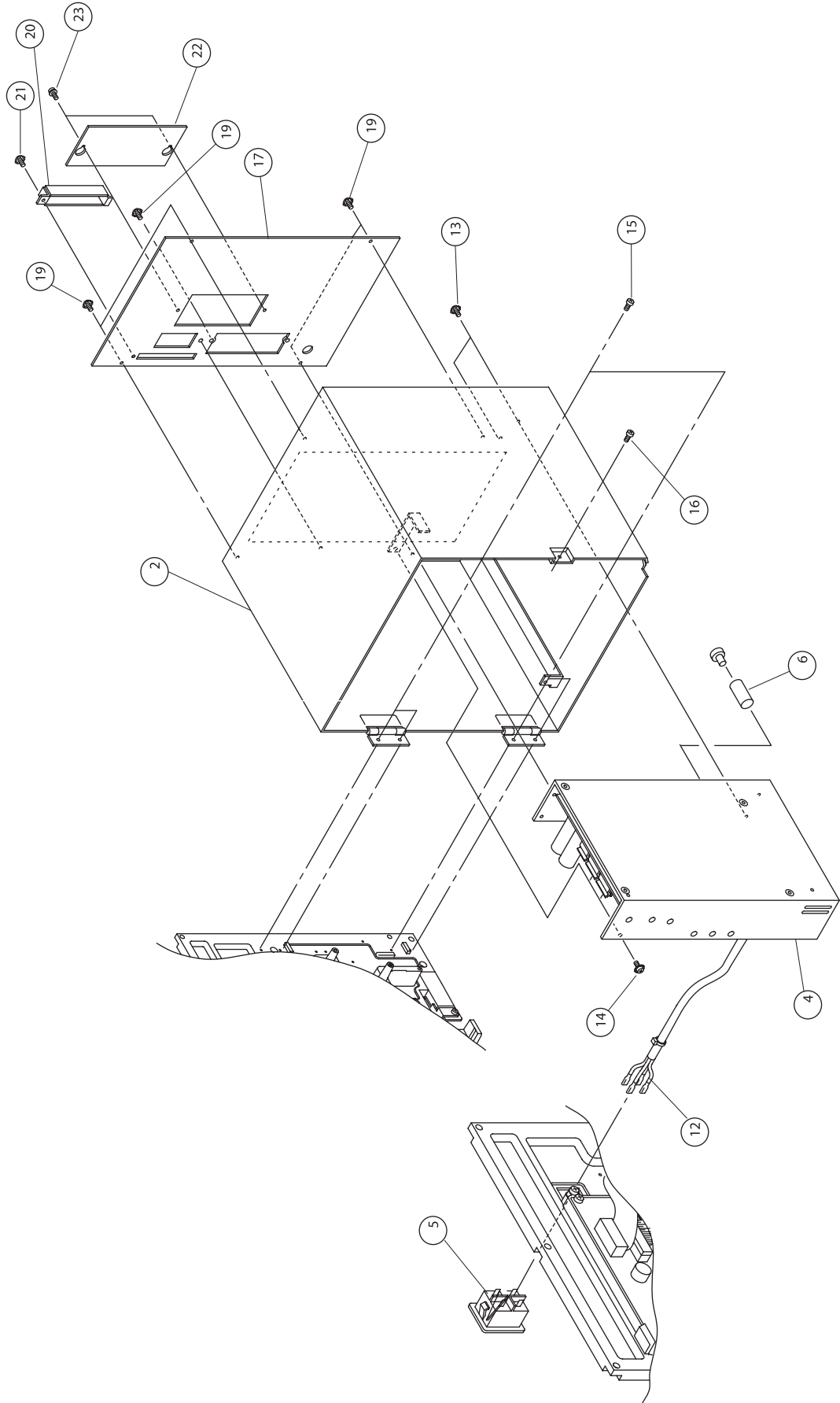
Platen Frame Assembly

NO.	CODE	DESCRIPTION	QTY
64	MC0300622	PAN HEAD SCREW	2
66	MN0300624	HEX SOCKET BOLT	3
67	PL1731300	PAPER LID BRACKET	1
69	PB0735100	SHAFT (RIBBON)	1
70	ND0020030	E-RING	2
72	PC2730200	SPRING (OPEN)	1
73	PA3738100	PAPER LID (BOTTOM)	1
76	PA3731700	LATCH HANDLE	1
77	PB0730900	SHAFT (LATCH)	1
78	PC2730100	SPRING (LATCH)	1
80	ND0020030	E-RING	2
82	PA3731200	SENSOR BRACKET (PITCH)	1
84	MD4300622	PAN HEAD SCREW	1
85	RH1731000	SEN2 CABLE	1
86	MJ9300622	THIN HEAD SCREW	2
88	PA3738200	PAPER LID (TOP)	1
90	MC0300622	PAN HEAD SCREW	2
92	MA0301022	PAN HEAD SCREW	2
93	MT1300522	HEX NUT	2
97	PE2730300	STOPPER COLLAR	2
98	PC1730300	SPRING (PRESSURE)	2
100	PA3738300	ROLLER BRACKET	1
102	PL2730100	ADJUST COLLAR	1
103	PA0730400	WASHER	1
105	MN0400624	HEX SOCKET BOLT	2
106	NB0040022	SPRING WASHER	1
107	NA0040022	FLAT WASHER	1
109	PB0735200	SHAFT (PRESSURE ROLLER)	1
111	PE3720200	ROLLER	5
112	PE3720500	ROLLER	5
114	PA4730600	PAPER GUIDE (LID)	1
116	MC0300622	PAN HEAD SCREW	1
122	PL1731400	ROLLER HOLDER (PRESS)	1
124	PB0735300	PRESSURE ROLLER	1
125	PT1108040	BALL SUPPORTER	2
128	PA4730300	PLATE SPRING	4
129	MJ9300622	THIN HEAD SCREW	4

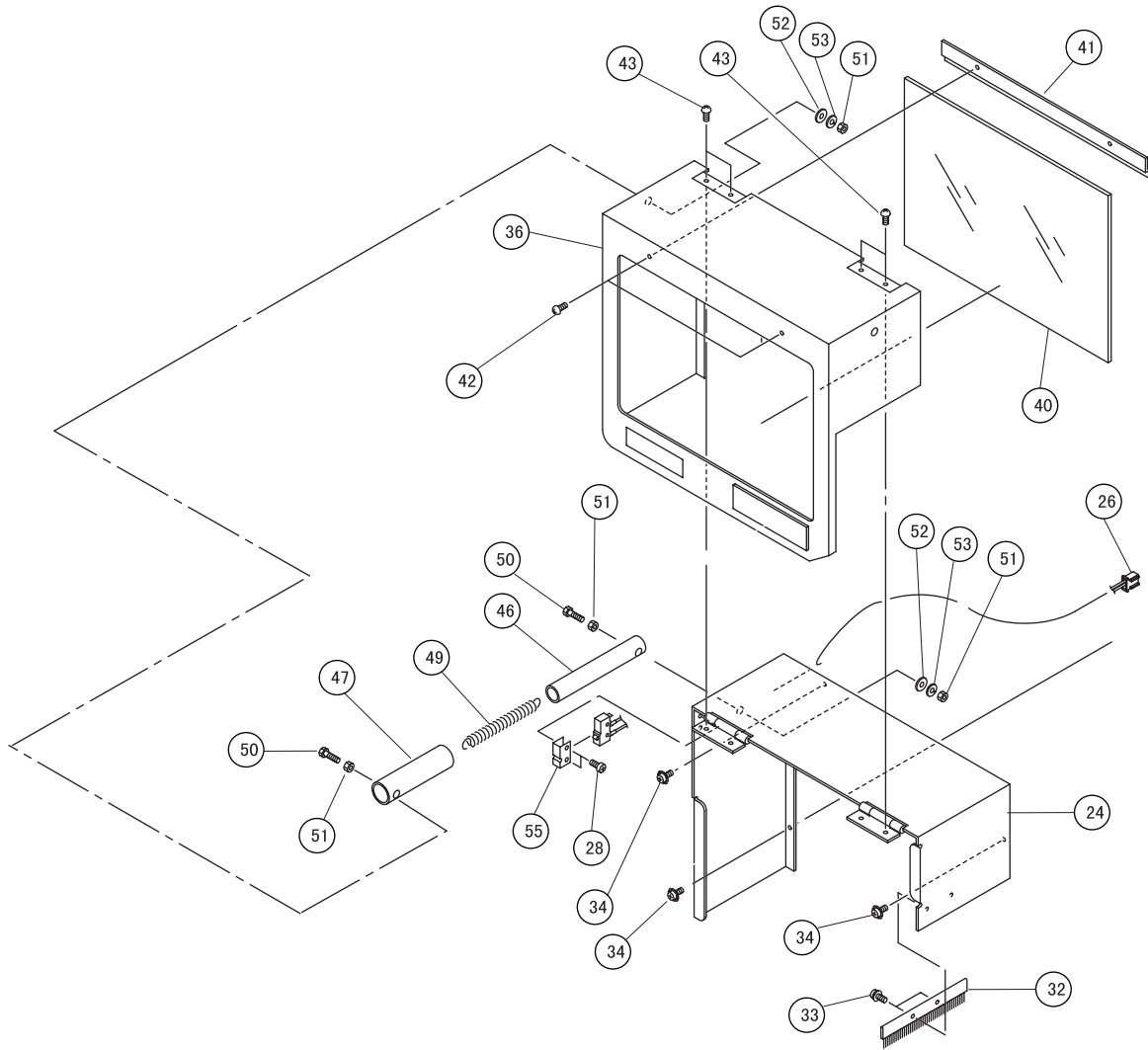
Platen Frame Assembly

NO.	CODE	DESCRIPTION	QTY
132	PR1732800	PLATE (HOLDER) (F)	1
133	PR1732900	PLATE (HOLDER) (R)	1
135	MA1300822	FLAT HEAD SCREW	4
138	PB0733601	SCREW (HOLDER)	1
139	PE2730600	COLLAR	1
141	PB2730100	COLLAR	3
142	MJ1300324	HEX SOCKET BOLT	3

Cover Assembly



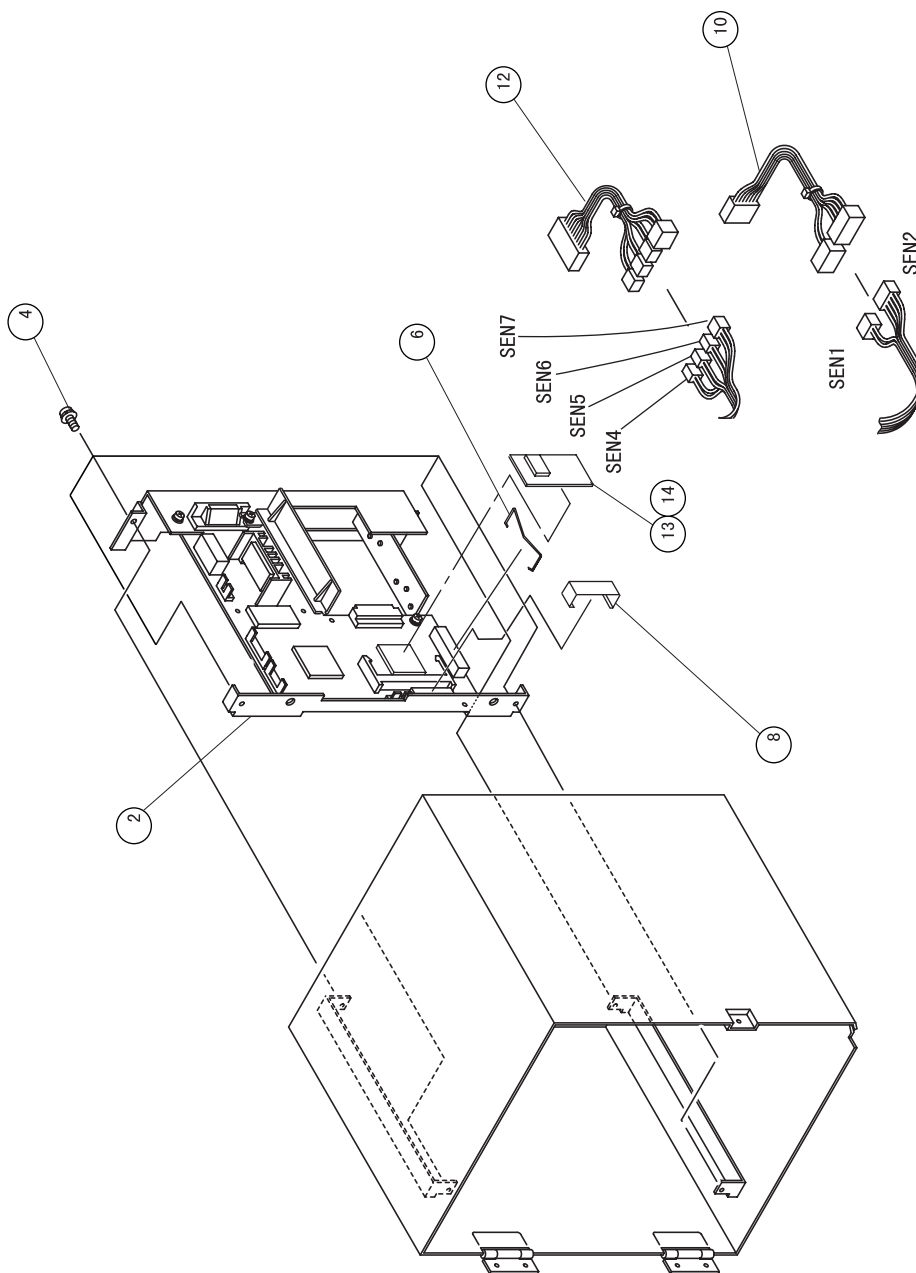
Cover Assembly



Cover Assembly

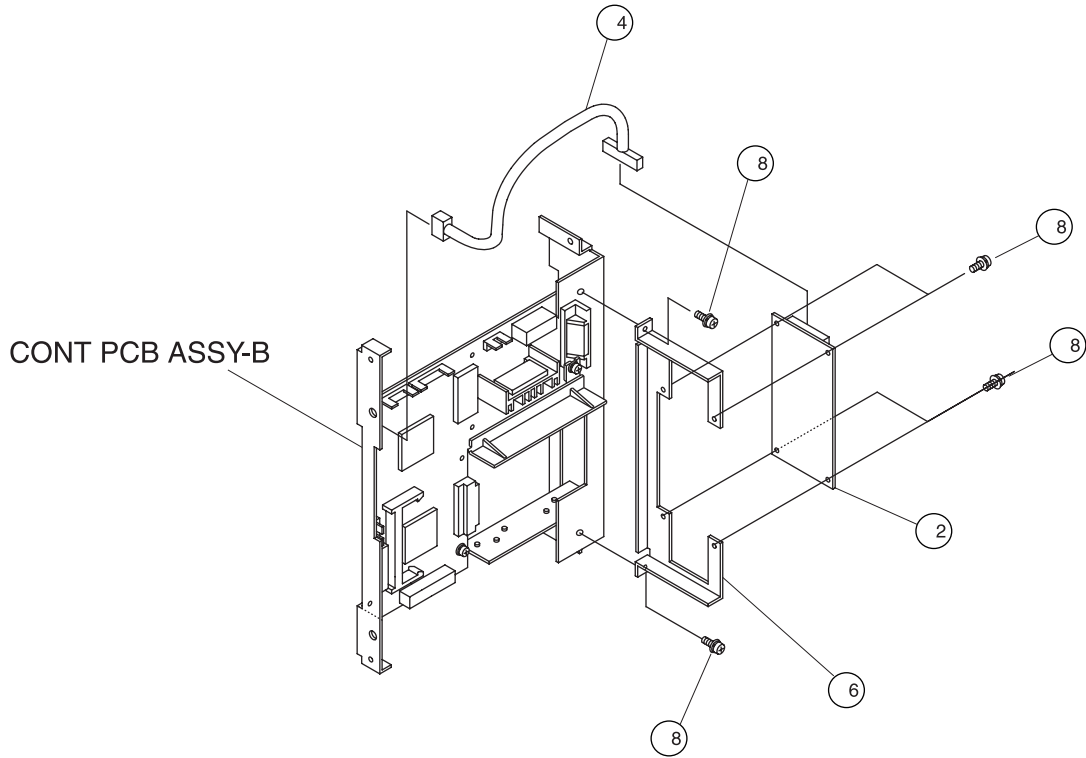
NO.	CODE	DESCRIPTION	QTY
2	PH1731701	CLOSE COVER (A)	1
4	PR7730301	POWER SUPPLY ASSY	1
5	GA300161A	POW SWITCH	1
6	HD100311A	FUSE	1
12	RH1730500	POW/SW CABLE	1
13	MC0301022	PAN HEAD SCREW	2
14	MC0401022	PAN HEAD SCREW	1
15	MC0301022	PAN HEAD SCREW	4
16	MC0401022	PAN HEAD SCREW	1
17	PH1732600	CLOSE COVER (B)	1
19	MC0300622	PAN HEAD SCREW	5
20	PH1732800	MEMORY CARD COVER	1
21	MC0300622	PAN HEAD SCREW	1
22	PH1732000	CLOSE COVER (C)	1
23	MD4300822	PAN HEAD SCREW	2
24	PR1731000	COVER BRACKET	1
26	RH1730800	SEN6 CABLE	1
28	MA0200821	PAN HEAD SCREW	2
32	PR1340500	ANTI STATIC BRUSH	1
33	MD4300622	PAN HEAD SCREW	2
34	MC0301022	PAN HEAD SCREW	3
36	PH1732100	OPEN COVER (A)	1
40	PH2730100	OPEN COVER (B)	1
41	PH1730700	SET PLATE	1
42	MA7300625	TRUSS SCREW	2
43	MA7300625	TRUSS SCREW	4
46	PB2730700	SPRING CASE (A)	1
47	PE6730400	SPRING CASE (B)	1
49	PC0730300	SPRING (OPEN)	1
50	PB0013700	SPRING SHAFT	2
51	MT3020621	HEX NUT	4
52	NA1060022	PLAIN WASHER	2
53	NB0060022	SPRING WASHER	2
55	PA6730300	COVER (SEN6)	1

CONT PCB Assembly



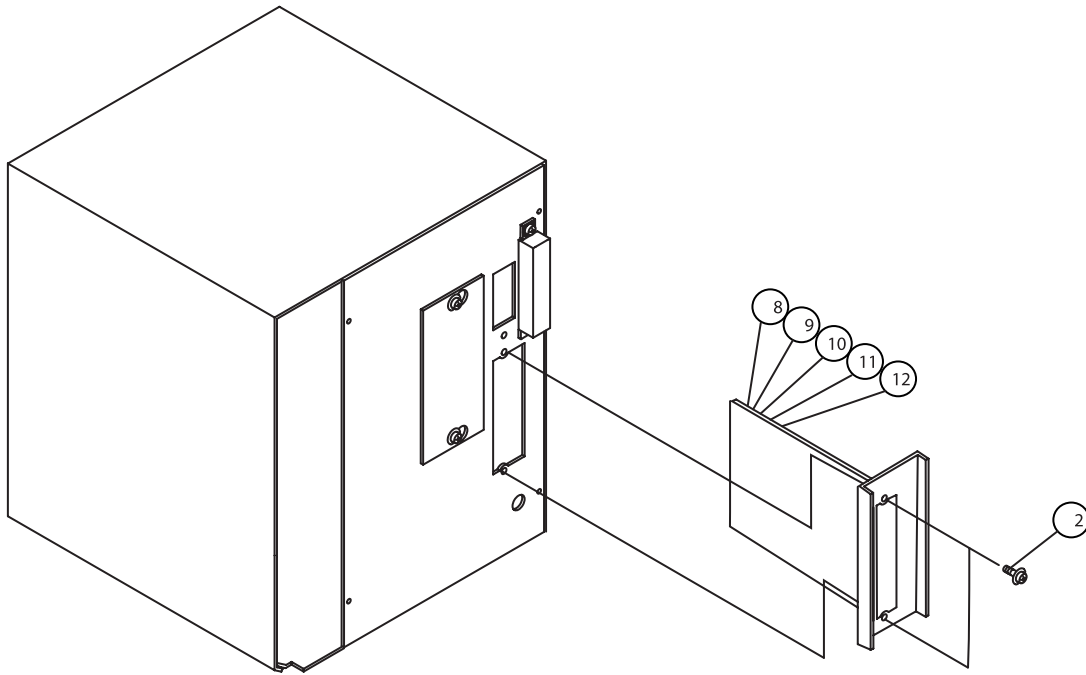
NO.	CODE	DESCRIPTION	QTY
2	RJ1733100	CONT PCB ASSY-B	1
4	MD4300622	PAN HEAD SCREW	4
6	PC9730100	SPRING(LOCK)	1
8	PA3739900	CONNECTOR LOCK	1
10	RH1727300	PITCH SENSOR RELAY	1
12	RH1735100	SENSOR RELAY CODE	1
13	RJ7770200	MEMORY PCB ASSY	1
14	RJ7770300	4 MB FLASH MEMORY UPGRADE (OPTION)	1

Check PCB Assembly



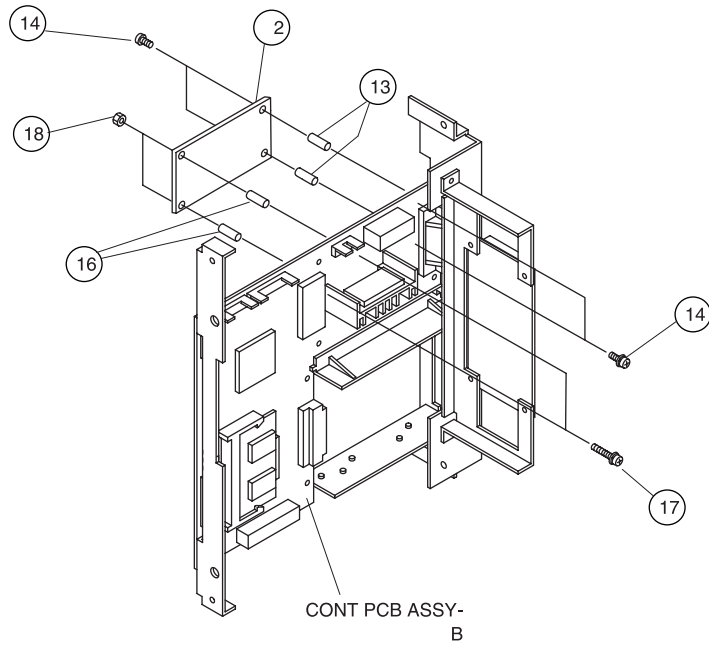
NO.	CODE	DESCRIPTION	QTY
2	RJ4731200	CHECK PCB SET	1
4	RH4730000	CHECK CABLE SET	1
6	PA3736601	PCB BRACKET (CHECK)	1
8	MD4300822	PAN HEAD SCREW	6

Interface Option



NO.	CODE	DESCRIPTION	QTY
2	MD3300622	SCREW	2
8	WCL404070	IEEE-1284 PARALLEL INTERFACE (OPTION)	1
9	WCL404051	SERIAL INTERFACE (OPTION)	1
10	WCL404060	USB INTERFACE (OPTION)	1
11	11S000158	ETHERNET INTERFACE (OPTION)	1
12	11S000136	CX/TX INTERFACE (OPTION)	1

Memory Option



NO.	CODE	DESCRIPTION	QTY
2	RJ4770100	PC CARD PCB ASSY	1
13	PT9770600	SPACER	2
14	MD4300621	PAN SCREW	4
16	PT9770700	SPACER	2
17	MD4201621	PAN SCREW	2
18	MT1200422	NUT	2